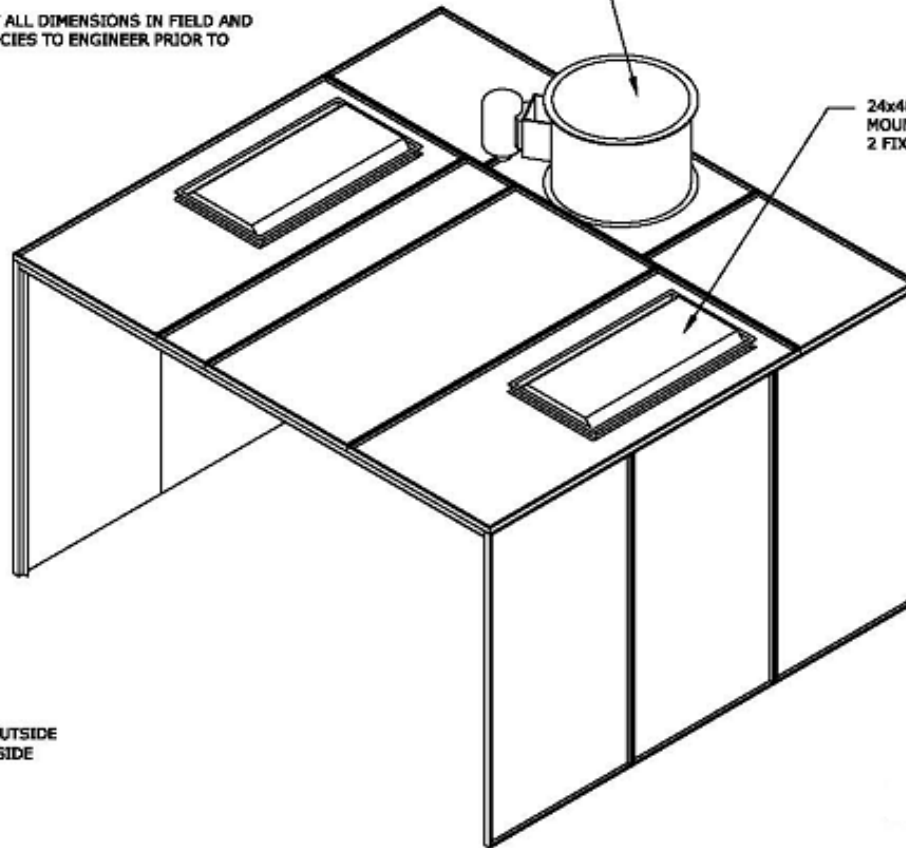


MANUFACTURED IN COMPLIANCE WITH NFPA 33, OSHA, NEC,
AND BOCA GUIDELINES

Exhaust Fan, 30" d/a
2hp, 9990 CFM @ 0.5" SP
UL APPROVED

NOTE;
CONTRACTOR TO VERIFY ALL DIMENSIONS IN FIELD AND
REPORT ANY DISCREPANCIES TO ENGINEER PRIOR TO
STARTING WORK

24x48 LIGHT FIXTURE, ENCLOSED, UL LISTED,
MOUNTED BEHIND 0.25" TEMPERED GLASS WINDOW
2 FIXTURES TOTAL



OFB-1000-12

12'-3"W x 7'-6"H x 11'-0"L OUTSIDE
12'-0"W x 7'-0"H x 8'-0"L INSIDE

NOTES:

- ALL MATERIALS OF CONSTRUCTION ARE NON-COMBUSTIBLE.
- ALL PANELS ARE 18 GA. GALV SHEET STEEL.
- WINDOWS ARE 1/4" TEMPERED GLASS.
- LIGHT FIXTURES ARE ENCLOSED 2x4 FLORESCENT LAYIN TYPE, UL APPROVED, MOUNTED BEHIND GLASS WINDOW.
- FAN IS TUBEAXIAL, ALUMINUM BLADE WITH DRIVE BELT IN ENCLOSED SHROUD, UL APPROVED.

title	OFB-1000-12 SH 1 OF 2	
part no	OFB-1000-12	
order no	-	
drawn by	MBOWLES	date 4-21-04
file name	XXXX	rev B