



Duct Work

INSTALLATION MANUAL

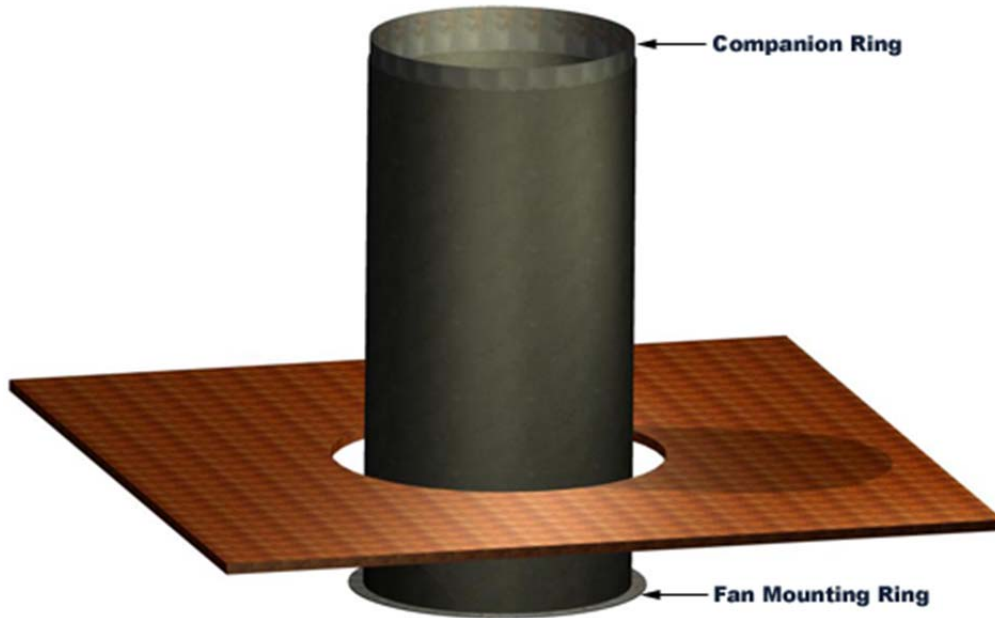
DATE INSTALLED: _____

STANDARD TOOLS AND EQUIPMENT CO. 1-888-312-7488

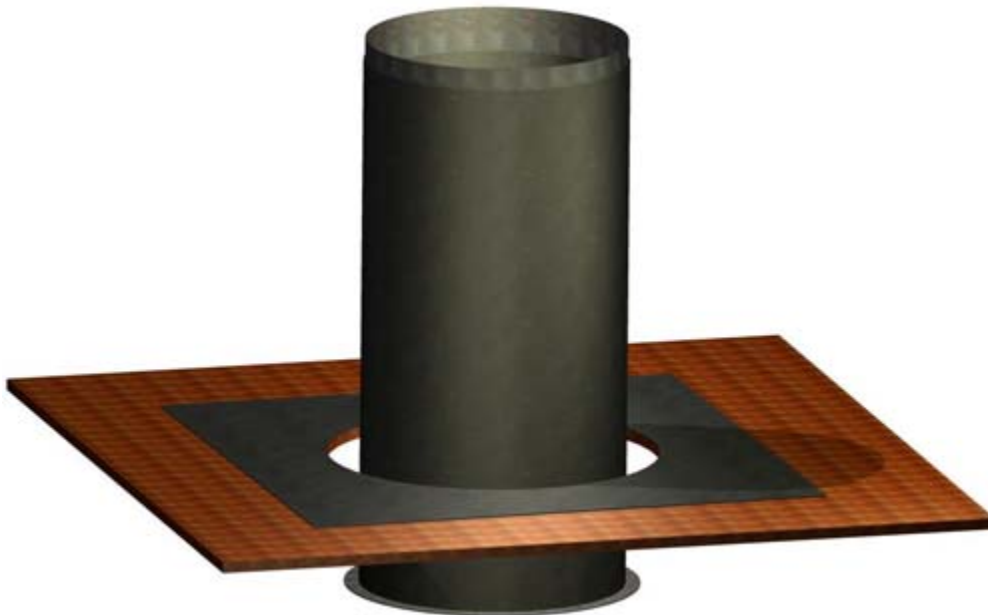
Step 1: Cut hole in roof 6 inches larger than the pipe (fan) diameter.

Step 2: Assemble pipe so that it protrudes at least two feet above the roof. (All assembly should use #10 Tek Screws)

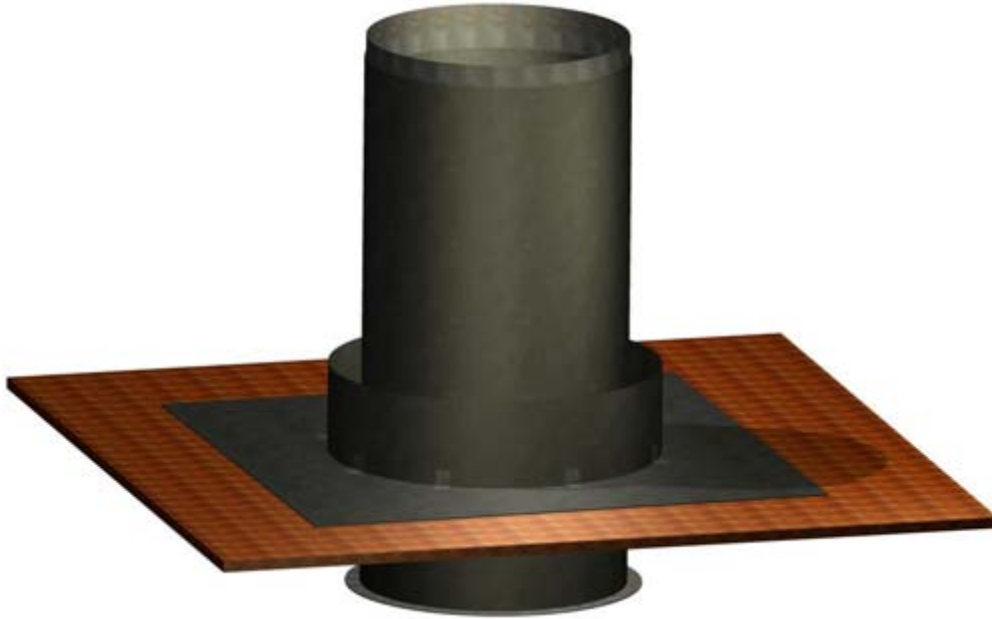
Step 3: Insert companion ring and fan mounting ring into ductwork.



Step 4: Install roof flange onto roof.



Step 5: Place the sleeve into the roof cutout, ensuring an equal amount of space above and below the roof line. Mount the eight brackets to the sleeve and the flange, space the brackets equally.

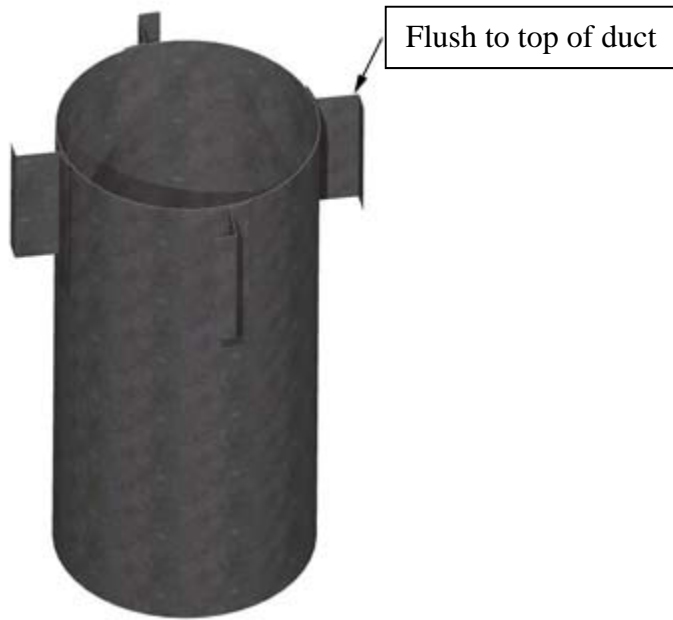


Step 6: Place the rain collar around the duct and make sure it rests on top of the sleeve, as shown.

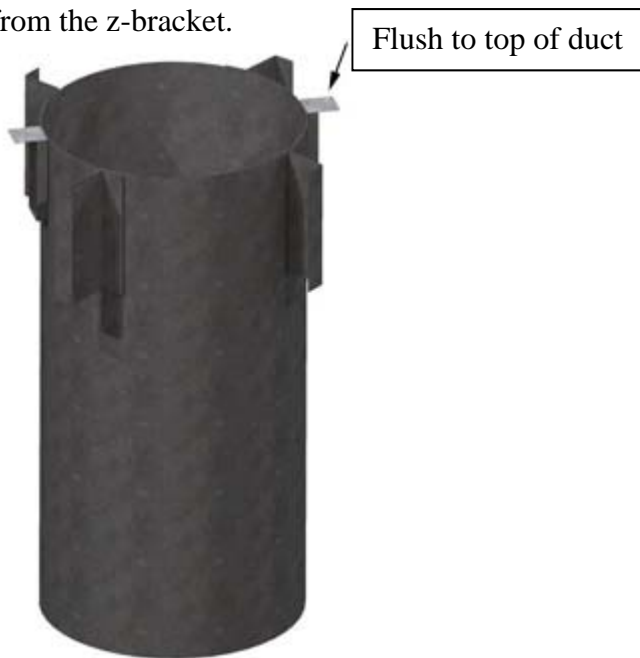


Note: A roof pitch over 2:12 or a corrugated roof may require an additional roof curb.

Step 7: Mount the four z-brackets equally (90 degrees) onto the other duct provided.



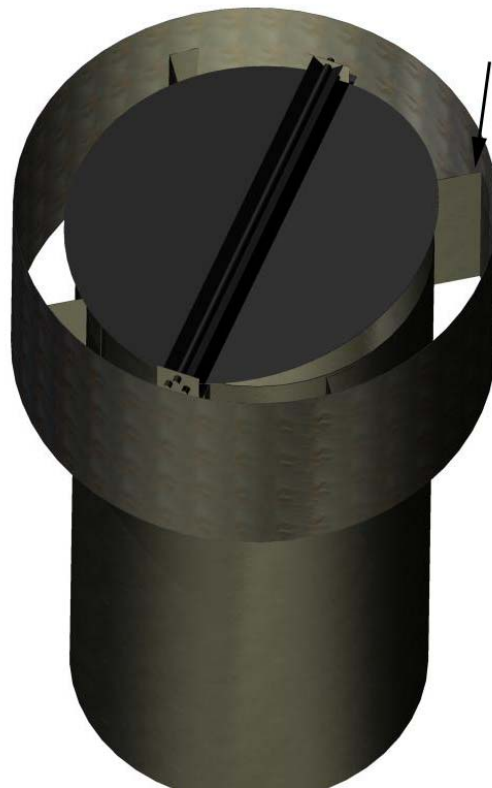
Step 8: Mount the end caps at 45 degrees from the z-bracket.



Step 9: Mount the flapper onto the end caps.



Step 10: Attach skirt onto z-brackets. The skirt should be mounted so that the z-brackets are near the bottom of the skirt.



Step 11: Mount the duct with the attached weather head onto the duct that is coming from the roof with the companion ring. You will also need to seal the top of the rain collar with HVAC tape. (HVAC tape is not included in Duct Kit)

